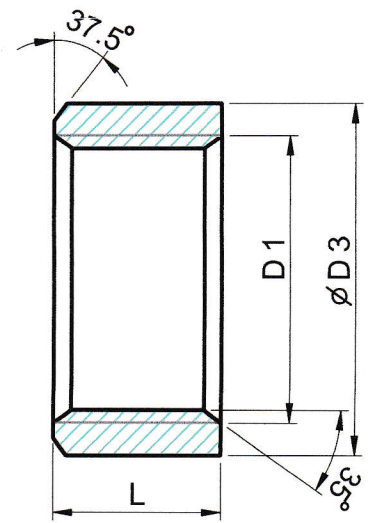


BSPT, NPT



BSP, DIN 2999

DESIGN FEATURES:

- THREAD: NPT
- CF8 (304) & CF8M (316)
- MADE FROM STAINLESS STEEL WELDED PIPE

DIMENSIONS

unit : inch

SIZE	d1	BSPT, NPT		D1	BSP, DIN 2999	
		d3	L2		D3	L
1/8"	1/8"	0.56	0.43	1/8"	0.55	0.43
1/4"	1/4"	0.73	0.51	1/4"	0.73	0.43
3/8"	3/8"	0.85	0.55	3/8"	0.85	0.47
1/2"	1/2"	1.04	0.71	1/2"	1.04	0.59
3/4"	3/4"	1.26	0.79	3/4"	1.26	0.67
1"	1"	1.56	0.83	1"	1.56	0.75
1 1/4"	1 1/4"	1.91	0.94	1 1/4"	1.91	0.87
1 1/2"	1 1/2"	2.15	0.94	1 1/2"	2.15	0.87
2"	2"	2.62	1.10	2"	2.62	1.02
2 1/2"	2 1/2"	3.31	1.30	2 1/2"	3.23	1.18
3"	3"	3.94	1.42	3"	3.74	1.30
4"	4"	5.08	1.65	4"	4.80	1.57